

**400KHz 42V 2A Switching Current Boost / Buck-Boost / Inverting DC/DC Converter**  
**FS2607产品说明书****Features**

- Wide 5V to 32V Input Voltage Range
- Positive or Negative Output Voltage
- Programming with a Single Feedback Pin
- Current Mode Control Provides Excellent Transient Response
- 1.25V reference adjustable version
- Fixed 400KHz Switching Frequency
- Maximum 2A Switching Current
- SW PIN Built in Over Voltage Protection
- Excellent line and load regulation
- EN PIN TTL shutdown capability
- Internal Optimize Power MOSFET
- High efficiency up to 90%
- Built in Frequency Compensation
- Built in Soft-Start Function
- Built in Thermal Shutdown Function
- Built in Current Limit Function
- Available in SOIC-8 package

**Applications**

- Automotive and Industrial Boost /
- Buck-Boost / Inverting Converters
- Portable Electronic Equipment

**General Description**

The FS2607 regulator is a wide input range, current mode, DC/DC converter which is capable of generating either positive or negative output voltages. It can be configured as either a boost, flyback, SEPIC or inverting converter. The FS2607 built in N-channel power MOSFET and fixed frequency oscillator, current-mode architecture results in stable operation over a wide range of supply and output voltages.

The FS2607 regulator is special design for portable electronic equipment.



SOIC-8

Figure1. Package Type of FS2607

**400KHz 42V 2A Switching Current Boost / Buck-Boost / Inverting DC/DC Converter  
FS2607产品说明书**

**Pin Configurations**

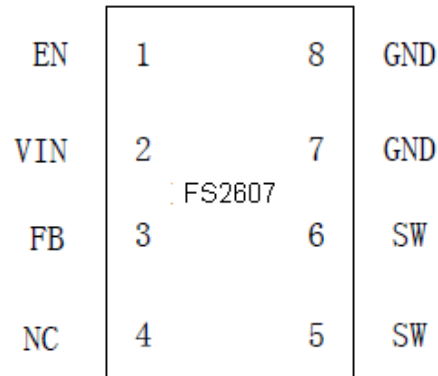


Figure2. Pin Configuration of FS2607 (Top View)

Table 1 Pin Description

Pin Number	Pin Name	Description
1	EN	Enable Pin. Drive EN pin low to turn off the device, drive it high to turn it on. Floating is default high.
2	VIN	Supply Voltage Input Pin. FS2607 operates from a 5V to 32V DC voltage. Bypass Vin to GND with a suitably large capacitor to eliminate noise on the input.
3	FB	Feedback Pin (FB). The feedback threshold voltage is 1.25V
4	NC	No Connected.
5,6	SW	Power Switch Output Pin (SW). Output is the switch node that supplies power to the output.
7,8	GND	Ground Pin.

**400KHz 42V 2A Switching Current Boost / Buck-Boost / Inverting DC/DC Converter**  
**FS2607产品说明书**

**Function Block**

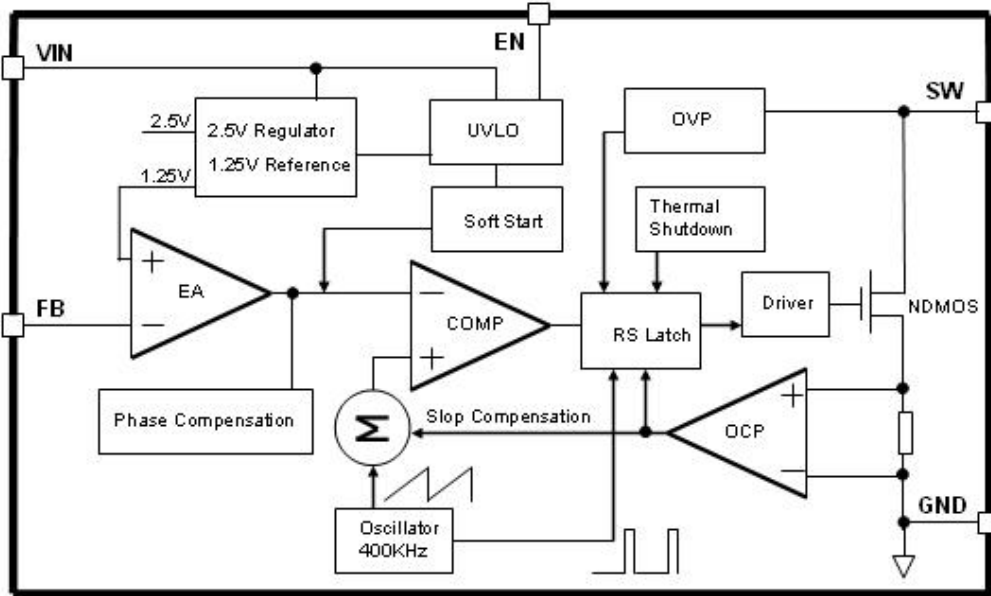


Figure3. Function Block Diagram of FS2607

**Typical Application Circuit**

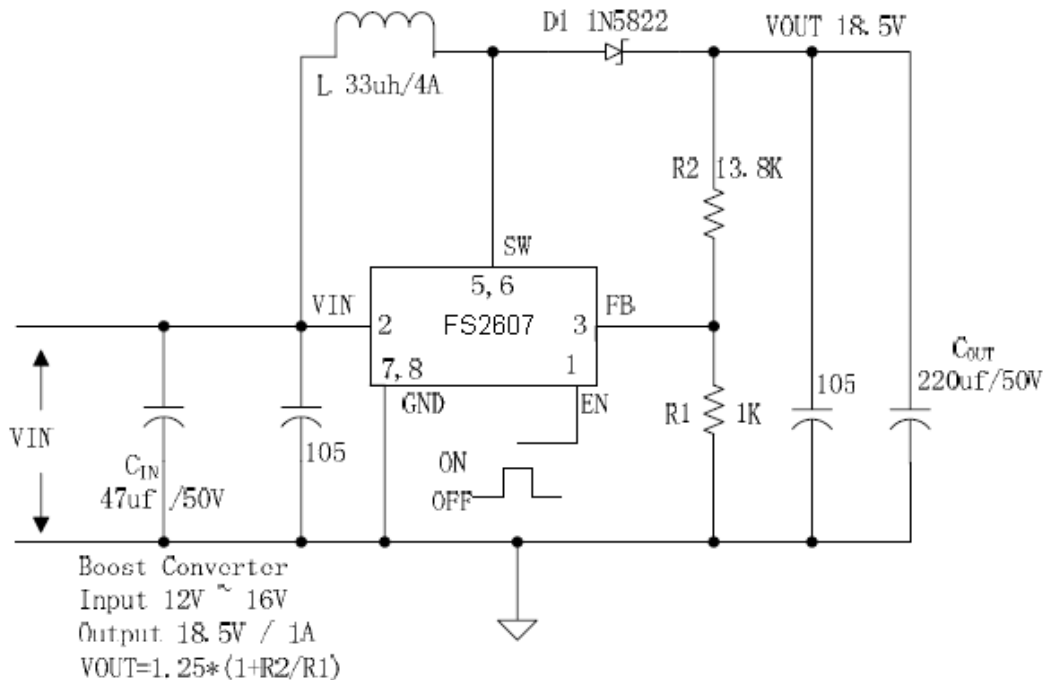


Figure4. FS2607 Typical Application Circuit (Boost Converter)

**400KHz 42V 2A Switching Current Boost / Buck-Boost / Inverting DC/DC Converter**  
**FS2607产品说明书**

## Ordering Information

Package	Temperature Range	Part Number	Marking ID	Packing Type
		Lead Free	Lead Free	
		FS2607E1	FS2607E1	Tube
		FS2607TRE1	FS2607E1	Tape & Reel

Pb-free products, as designated with “E1” suffix in the par number, are RoHS compliant.

## Absolute Maximum Ratings (Note1)

Parameter	Symbol	Value	Unit
Input Voltage	$V_{in}$	-0.3 to 34	V
Feedback Pin Voltage	$V_{FB}$	-0.3 to $V_{in}$	V
EN Pin Voltage	$V_{EN}$	-0.3 to $V_{in}$	V
Output Switch Pin Voltage	$V_{Output}$	-0.3 to $V_{in}$	V
Power Dissipation	$P_D$	Internally limited	mW
Thermal Resistance (SOP-8L) (Junction to Ambient, No Heatsink, Free Air)	$R_{JA}$	100	°C/W
Operating Junction Temperature	$T_J$	-40 to 125	°C
Storage Temperature	$T_{STG}$	-65 to 150	°C
Lead Temperature (Soldering, 10 sec)	$T_{LEAD}$	260	°C
ESD (HBM)		2000	V

**Note1:** Stresses greater than those listed under Maximum Ratings may cause permanent damage to the device. This is a stress rating only and functional operation of the device at these or any other conditions above those indicated in the operation is not implied. Exposure to absolute maximum rating conditions for extended periods may affect reliability.

**400KHz 42V 2A Switching Current Boost / Buck-Boost / Inverting DC/DC Converter**  
**FS2607产品说明书**

**FS2607 Electrical Characteristics**

$T_a = 25^{\circ}\text{C}$ ; unless otherwise specified.

Symbol	Parameter	Test Condition	Min.	Typ.	Max.	Unit
<i>System parameters test circuit figure4</i>						
VFB	Feedback Voltage	$V_{in} = 12\text{V to } 16\text{V}, V_{out}=18\text{V}$ $I_{load}=0.1\text{A to } 1\text{A}$	1.213	1.25	1.287	V
Efficiency	$\eta$	$V_{in}=12\text{V}, V_{out}=18.5\text{V}$ $I_{out}=1\text{A}$	-	90	-	%

**Electrical Characteristics (DC Parameters)**

$V_{in} = 12\text{V}$ ,  $GND=0\text{V}$ ,  $V_{in}$  &  $GND$  parallel connect a  $220\mu\text{f}/50\text{V}$  capacitor;  $I_{out}=0.5\text{A}$ ,  $T_a = 25^{\circ}\text{C}$ ; the others floating unless otherwise specified.

Parameters	Symbol	Test Condition	Min.	Typ.	Max.	Unit
Input operation voltage	$V_{in}$		5		32	V
Shutdown Supply Current	$I_{STBY}$	$V_{EN}=0\text{V}$		70	100	$\mu\text{A}$
Quiescent Supply Current	$I_q$	$V_{EN} = 2\text{V},$ $V_{FB} = V_{in}$		2.5	5	mA
Oscillator Frequency	$F_{osc}$		324	400	480	KhZ
Switch Current Limit	$I_L$	$V_{FB} = 0$		2		A
EN Pin Threshold	$V_{EN}$	High (Regulator ON) Low (Regulator OFF)		1.4 0.8		V
EN Pin Input Leakage Current	$I_H$	$V_{EN} = 2\text{V (ON)}$		3	10	$\mu\text{A}$
	$I_L$	$V_{EN} = 0\text{V (OFF)}$		3	10	$\mu\text{A}$
Max. Duty Cycle	$D_{MAX}$	$V_{FB}=0\text{V}$		95		%

**400KHz 42V 2A Switching Current Boost / Buck-Boost / Inverting DC/DC Converter  
FS2607产品说明书**

**Schottky Diode Selection Table**

Current	Surface Mount	Through Hole	VR (The same as system maximum input voltage)				
			20V	30V	40V	50V	60V
1A		√	1N5817	1N5818	1N5819		
		√	1N5820	1N5821	1N5822		
3A		√	MBR320	MBR330	MBR340	MBR350	MBR360
	√		SK32	SK33	SK34	SK35	SK36
	√			30WQ03	30WQ04	30WQ05	
		√		31DQ03	31DQ04	31DQ05	
		√	SR302	SR303	SR304	SR305	SR306

**Typical System Application – Boost (Output 18.5V/1A)**

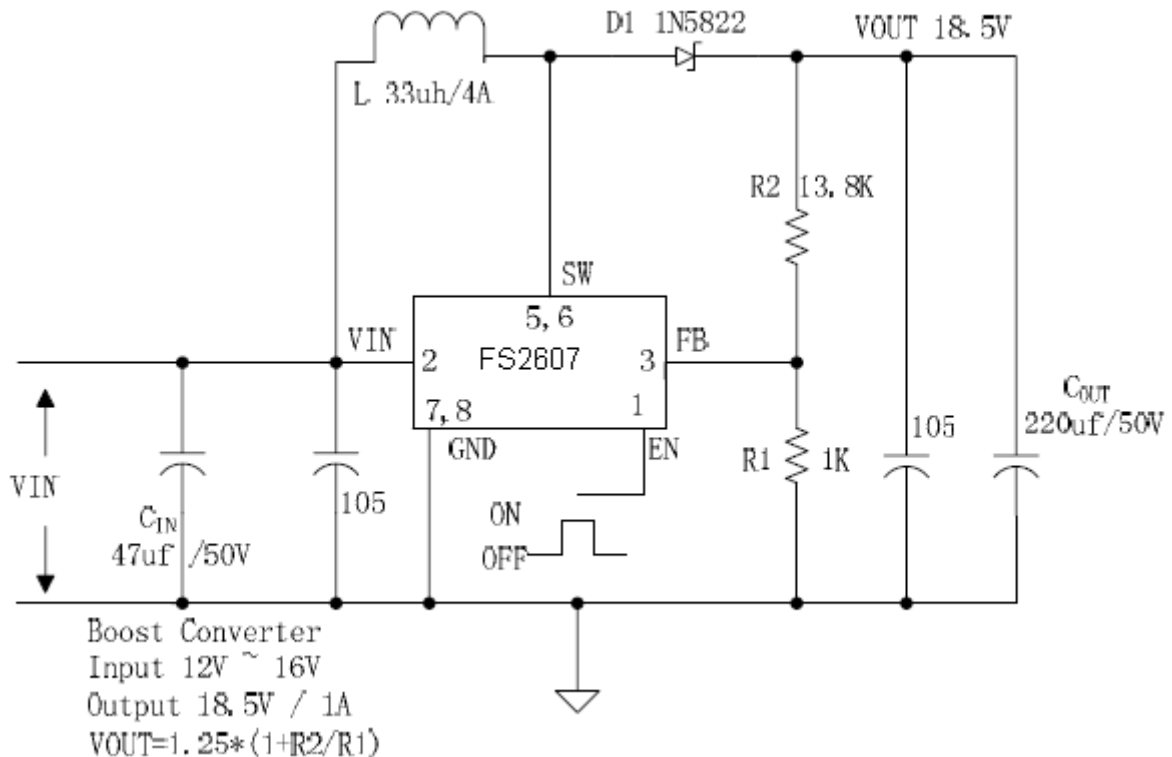


Figure5. FS2607 Typical System Application (Boost Converter)

**400KHz 42V 2A Switching Current Boost / Buck-Boost / Inverting DC/DC Converter  
FS2607产品说明书**

**Typical System Application – SEPIC Buck-Boost (Input 10V~30V, Output 12V/1.5A)**

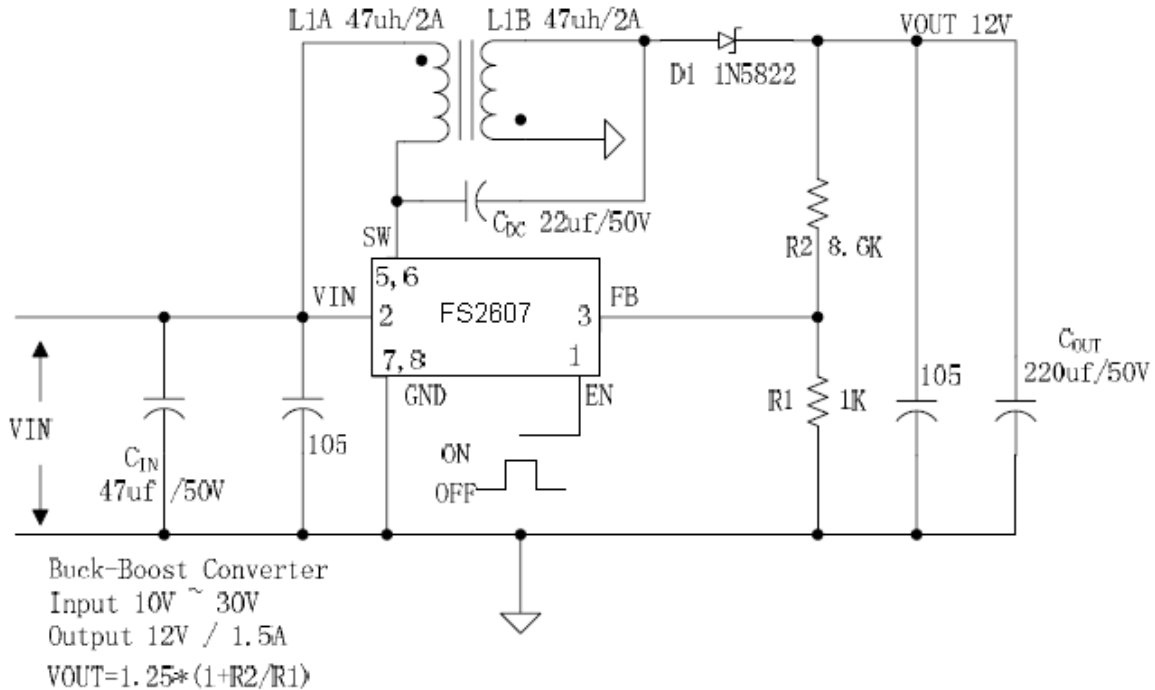


Figure6. FS2607 Typical System Application (SEPIC Buck-Boost Converter)

**Typical System Application for Boost High Voltage Converter**

**– FLYBACK Boost Topology (Input 10V~30V, Output 300V/0.04A ~ 0.2A)**

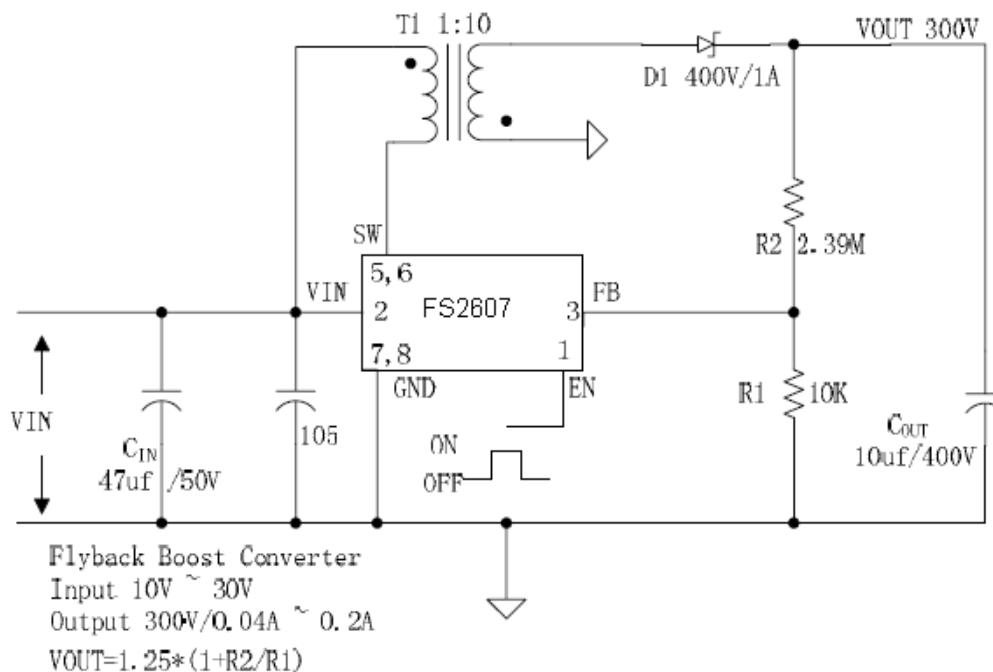


Figure7. FS2607 Typical System Application (Flyback Boost Converter)

**400KHz 42V 2A Switching Current Boost / Buck-Boost / Inverting DC/DC Converter**  
**FS2607产品说明书**

**Typical System Application for Inverting Converter**

**- SEPIC Inverting Topology (Input 10V~30V, Output + -12V/0.6A)**

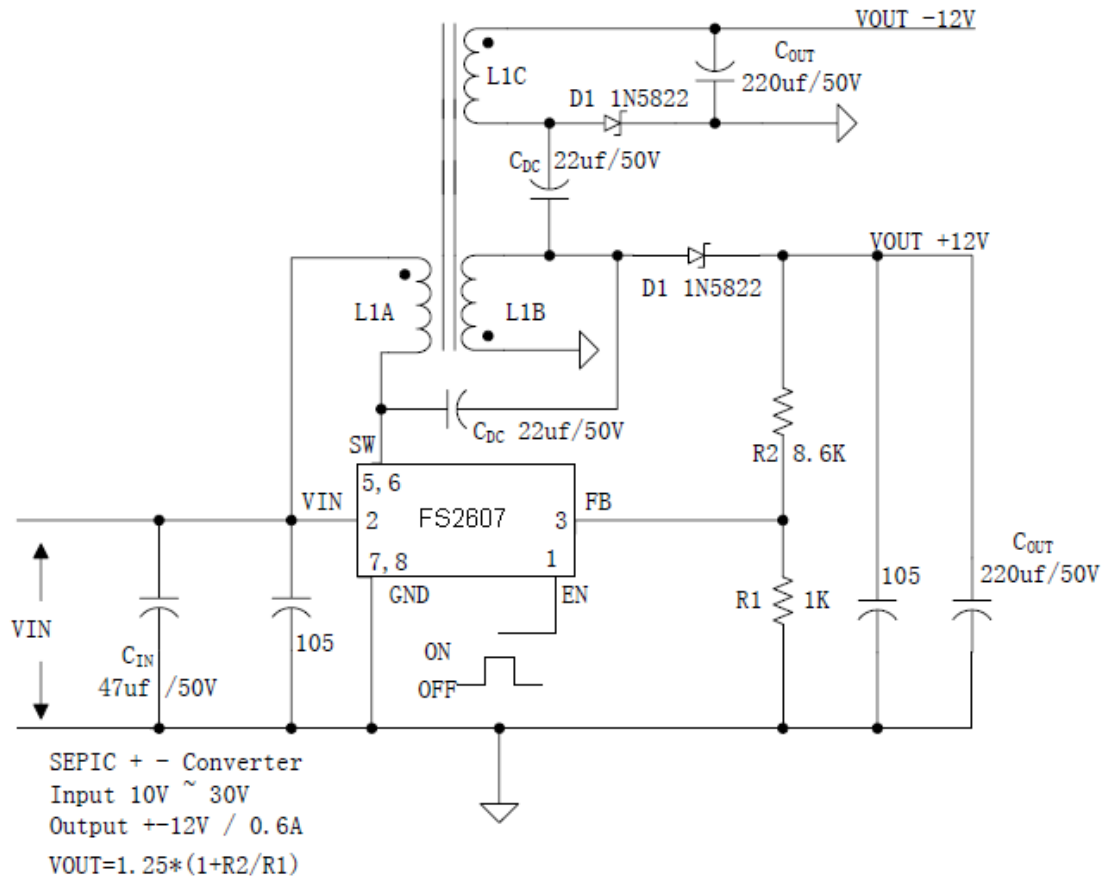


Figure8. FS2607 Typical System Application (SEPIC Inverting Converter)



**Package Information**

**SOP8 Package Mechanical Dimensions**

